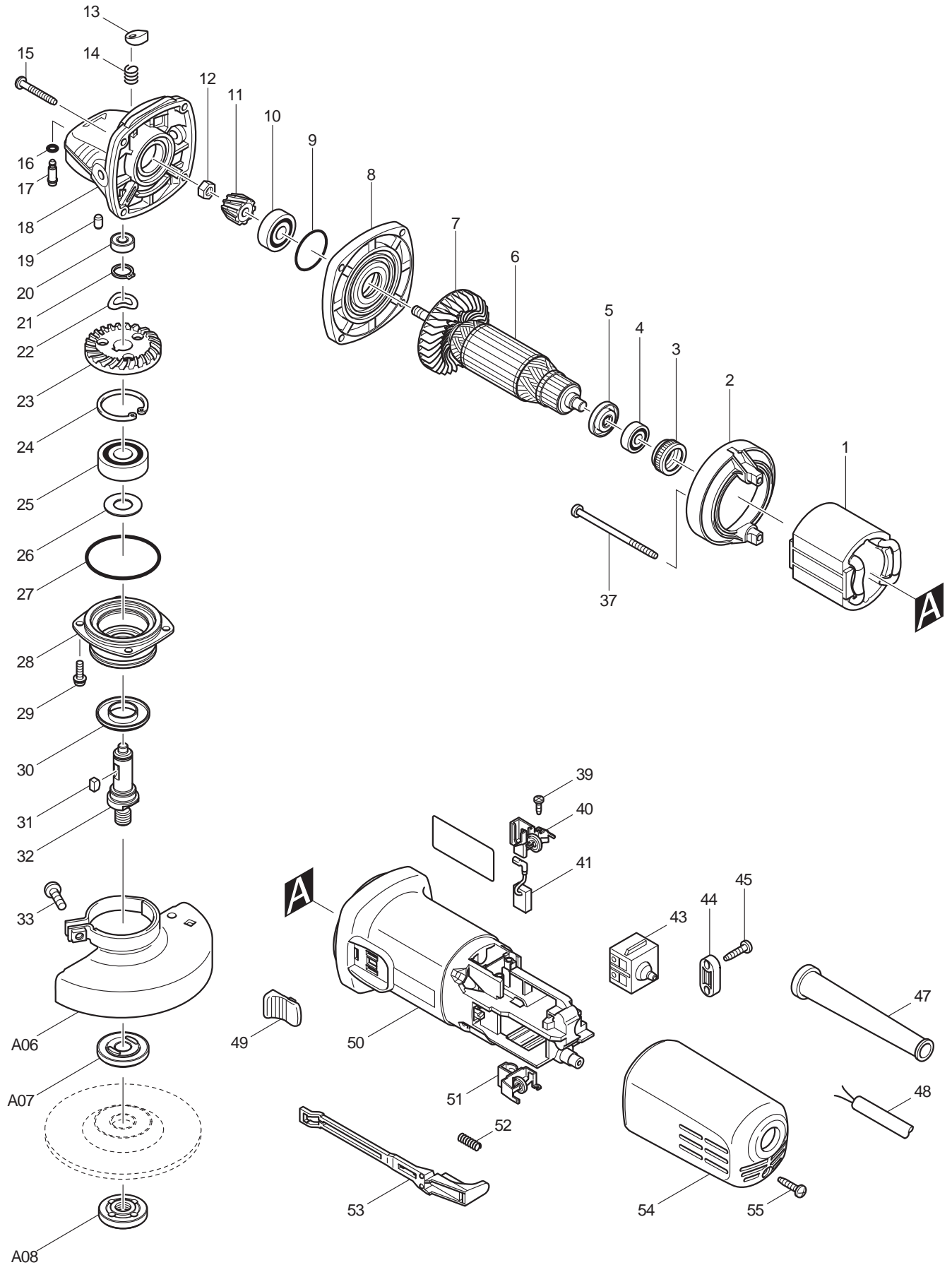




11 - 2009
9553NBK
4" DISC GRINDER M10 X 1.25



Item No.	Part No.	Description	Qty	Unit
1	621711-0	FIELD 115V	1	PC.
2	418795-5	BAFFLE PLATE	1	PC.
3	421868-5	LABYRINTH RUBBER RING 19	1	PC.
4	210034-7	BALL BEARING 607LLB	1	PC.
5	681667-9	RESIN WASHER (TYPE 1) - N/L/A	1	PC.
	681636-0	INSULATION WASHER (TYPE 2)	1	PC.
6	515616-3	ARMATURE ASS'Y 115V	1	PC.
	INC.	Item No. 4,5,7		
7	240076-7	FAN 56	1	PC.
8	317821-6	GEAR HOUSING COVER	1	PC.
9	213445-5	O-RING 26	1	PC.
10	210042-8	BALL BEARING 629LLB (TYPE1#210071-1, TYPE2#210053-3 - N/L/A)	1	PC.
11	227471-8	SPIRAL BEVEL GEAR 11	1	PC.
12	252186-8	HEX. NUT M6	1	PC.
13	417771-6	PIN CAP	1	PC.
14	233376-2	COMPRESSION SPRING 8	1	PC.
15	266361-0	TAPPING SCREW 4X30	4	PC.
16	213960-9	O RING 5	1	PC.
17	256486-8	SHOULDER PIN 4	1	PC.
18	317814-3	GEAR HOUSING	1	PC.
19	263002-9	RUBBER PIN 4	1	PC.
20	210033-9	BALL BEARING 696ZZ	1	PC.
21	961052-5	RETAINING RING S-12	1	PC.
22	267794-2	WAVE WASHER 12	1	PC.
23	227506-5	SPIRAL BEVEL GEAR 36 (OLD# 227472-6 - N/L/A)	1	PC.
24	962151-6	RETAINING RING R-32	1	PC.
25	211129-9	BALL BEARING 6201DDW	1	PC.
26	267238-2	FLAT WASHER 12	1	PC.
27	213622-9	O RING 45	1	PC.
28	317819-3	BEARING BOX	1	PC.
29	265099-4	PAN HEAD SCREW M4X14	4	PC.
30	345464-4	LABYRINTH RING	1	PC.
31	254011-9	WOODRUFF KEY 4	1	PC.
32	324473-6	SPINDLE (M10X1.25)	1	PC.
33	265103-9	PAN HEAD SCREW M5X14	1	PC.
37	266325-4	TAPPING SCREW 4X70 (OLD# 266362-8 - N/L/A)	2	PC.
39	266007-8	TAPPING SCREW BIND PT 3X10	4	PC.
40	643760-7	BRUSH HOLDER	1	PC.
41	194074-2	CARBON BRUSH CB-325 2PC/SET (W/O ORIGIN)	1	SET
	195001-2	CARBON BRUSH CB-325 2PC/SET (W/ ORIGIN)	1	SET
43	650560-8	SWITCH DPX-2110-R	1	PC.
44	687123-7	STRAIN RELIEF	1	PC.
45	266326-2	TAPPING SCREW 4X18	2	PC.
47	682559-5	CORD GUARD 8	1	PC.
48	664891-9	POWER SUPPLY CORD AWG#18-2-2.5	1	PC.
49	419566-3	SWITCH KNOB (OLD#419566-3 - N/L/A)	1	PC.
50	418794-7	MOTOR HOUSING	1	PC.
51	643760-7	BRUSH HOLDER	1	PC.
52	233121-5	COMPRESSION SPRING 4	1	PC.
53	418796-3	SWITCH LEVER C	1	PC.
54	418726-4	REAR COVER	1	PC.
55	266326-2	TAPPING SCREW 4X18	1	PC.

Item No.	Part No.	Description	Qty	Unit
ACCESSORIES				
A01	153489-2	GRIP 36 COMPLETE	1	PC.
A02	782420-7	LOCK NUT WRENCH 20	1	PC.
A04	824736-5	PLASTIC CARRYING CASE	1	PC.
	INC. 182935-8	SLIDE LATCH (R.L) SET	1	SET
A05	----	4" GRINDING WHEEL (D.C.W)	1	PC.
	----	4" MULTI DISC	1	PC.
	----	4" ABRASIVE DISC	1	PC.
	----	4" DIAMOND WHEEL	1	PC.
	----	4" CUT-OFF WHEEL	1	PC.
	----	4" FLEX WHEEL	1	PC.
	----	3" WIRE / BEVEL / CUP / WHEEL BRUSH	1	PC.
		(See catalogue for details)		
A06	125272-7	WHEEL COVER ASS'Y	1	PC.
	INC.	Item No. 33	1	PC.
A07	224377-1	INNER FLANGE 35	1	PC.
A08	224573-1	LOCK NUT 10-35	1	PC.
	224501-6	SANDING LOCK NUT 10-30 (M10X1.25)	1	PC.
A09	743009-6	RUBBER PAD 76	1	PC.
A10	A-04961	PLASTIC PAD (F/4" FLEX WHEEL)	1	PC.
A11	192476-6	CUT-OFF WHEEL GUARD F/4" (TYPE1)	1	PC.
	192626-3	CUT-OFF WHEEL GUARD F/4" (TYPE2)	1	PC.